


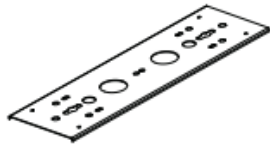

ORDERING FORM

FIXTURE: PL02 PARKER VICTORIA

EXAMPLE: PL02-4FT-24W-UNV-35K-DM-LINK-02

CODE	WATTS & LUMENS	VOLTAGE	KELVIN	OPTIONS	ACCESSORIES
PL02-4FT PL02-8FT	<u>4FT</u> 24W-3360L 36W-5040L 50W-7000L <u>8FT</u> 60W-8400L	UNV-100-277V	3K-3000K 35K -3500K 4K-4000K 5K-5000K 65K-6500K	DM -Dimmable <u>STANDARD</u> LINK -Linkable MS -Motion Sensor Field Installed	01 -Stainless Steel Suspending Cable 02 -Link Back Board 03 -Wire Box Cover

ACCESSORIES

 01	 02	 03
--	--	--

Parker Victoria

PL02



LED Linear Fixture

FEATURES

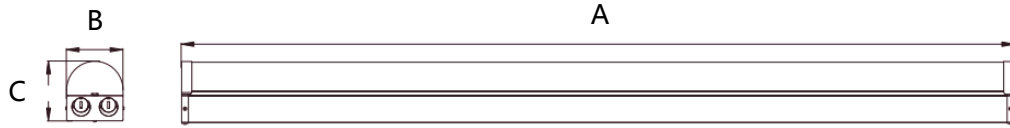
- Linkable, Motion Sensor
- IP20 / IK08, Up to 140 lm/W
- 5 Year Warranty
- Non-Flicker Standard
- Integrated Through-Wiring
- 70% Energy Saving Against T8/T5 Fittings
- 78,000 Hours (L70B10@Ta 25°C)
- 91,000 Hours (L70B50@Ta 25°C)
- BESA and Conduit Entry Design
- Housing Made of Anodized Aluminum
- Push Fit / Quick Terminal Installation

APPLICATION

- **COMMERCIAL**
Corridors and Stairways, Meeting Rooms, Entrance Areas, Offices
- **EDUCATION**
Classrooms, Cafeterias, Auditoriums, Sports Halls
- **HEALTH CARE FACILITIES**
Hospitals, Clinics
- **SHOP & RETAIL**
Shopping Malls, Supermarkets, Retail Stores
- **ARCHITECTURAL**
Exhibition Centers, Libraries, Museums, Concert Halls



SIZE



Model No.	Size A (feet)	Size B (inches)	Size C (inches)
PL02	4 FT	3.35"	3.55"
PL02	8FT	3.35"	3.55"

SPECIFICATIONS

MODEL	POWER (W)	LUMENS Frosted	lm/W
PL02/ 4FT	24	3360	140
PL02/ 4FT	36	5040	140
PL02/ 4FT	50	7000	140
PL02/ 8FT	60	8400	140

Notes: Above lumens based on 4000K Ra: 80

*All values in +25°C Ambient Temperature, Luminous Flux Tolerance +-5%, Output Power Tolerance +-5%.

TECHNICAL PRODUCT INFORMATION

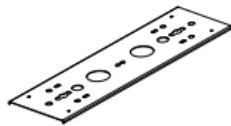
Temperature: Operating: -20~+40°C **Storage:** -40~+85°C
Light Source: 2835 SDCM 5(SDCM 3 Optional)
Beam Angle: 120°
CCT Range: 3000K | 3500K | 4000K | 5000K | 6500K
CRI Range: 80/90
AC Input: 100-277V 50/60Hz
Light Efficiency: 140 lm/W
PF:>0.93 **THD**<20% **Power Efficiency:** >0.9
Humidity: Storage and Operating: 10%-80%
Waterproof: IP20 & IK08
Recommended Installation Height: 6.5-26ft
Lens: Polycarbonate / Vandal Resistant
Optional: Linkable, Motion Sensor (Field Installed)

ACCESSORIES

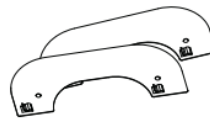
Function: Dimmable
Dimming to be 0-10V



01



02

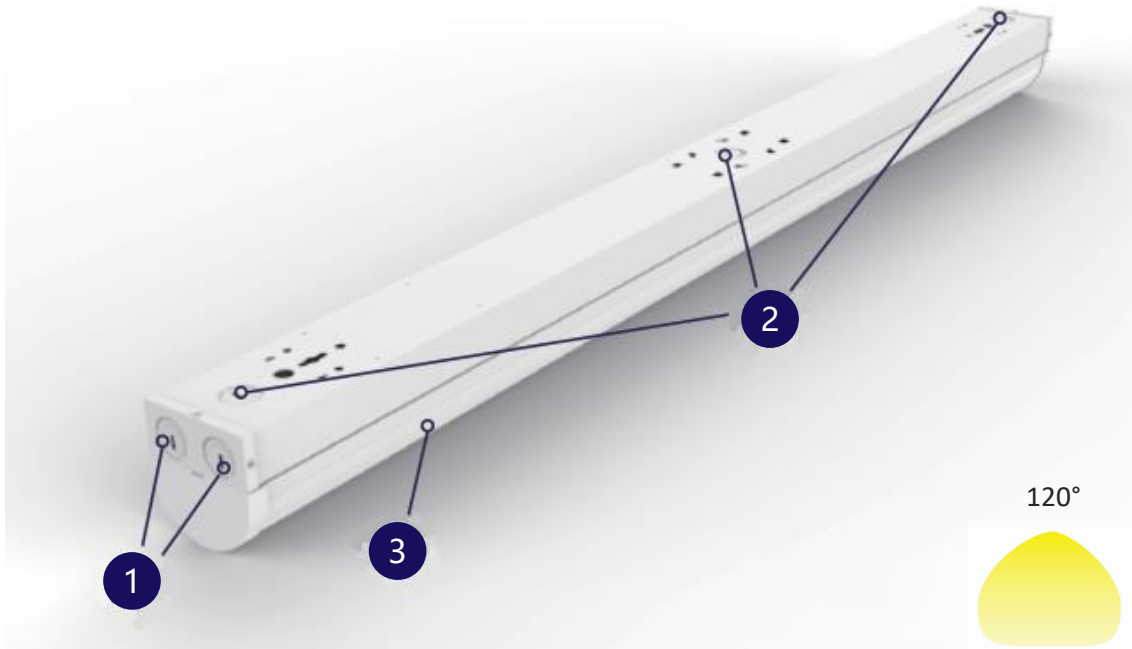


03

	IMAGE	PART #	DESIGNATION	MATERIAL	QTY	ACCESSORY USE
Optional	01	PL02-SUSPC01	Suspending Cable	Stainless Steel	2 PC	Suspension
	02	PL02-LBB02	Link Backboard	Stainless Steel	1 PC	Linkable
	03	PL02-WBC03	Wire Box Cover	Stainless Steel	2 PC	Ceiling Mount



FEATURES



1/2" Knockout and
3/4" Knockout



1/2" Knockout and
3/4" Knockout



Transmittance 90%

INPUT VOLTAGE

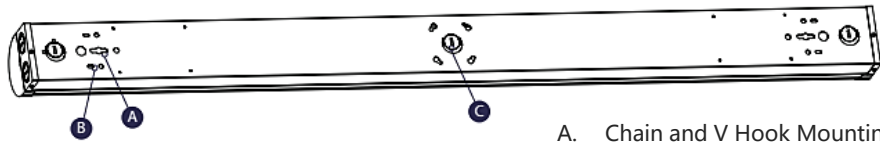
Input Voltage	Max Qty	Size Cable (inches)	Input Voltage	Max Qty	Size Cable (inches)
100VAC/24W	15	optional	100VAC/24W	30	optional
100VAC/36W	10	optional	100VAC/36W	20	optional
100VAC/50W	7	optional	100VAC/50W	14	optional
100VAC/60W	6	optional	100VAC/60W	12	optional



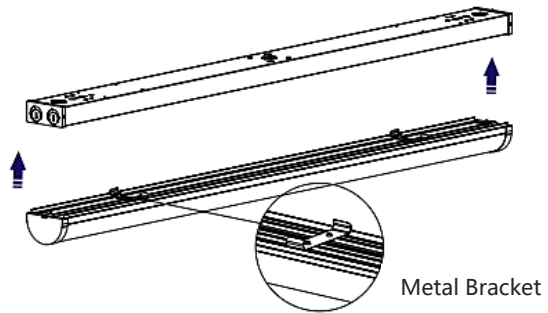
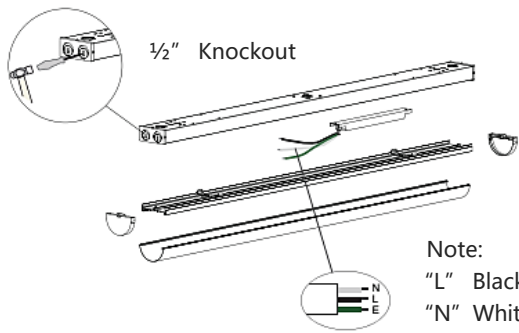
APPLICATION



INSTALLATION



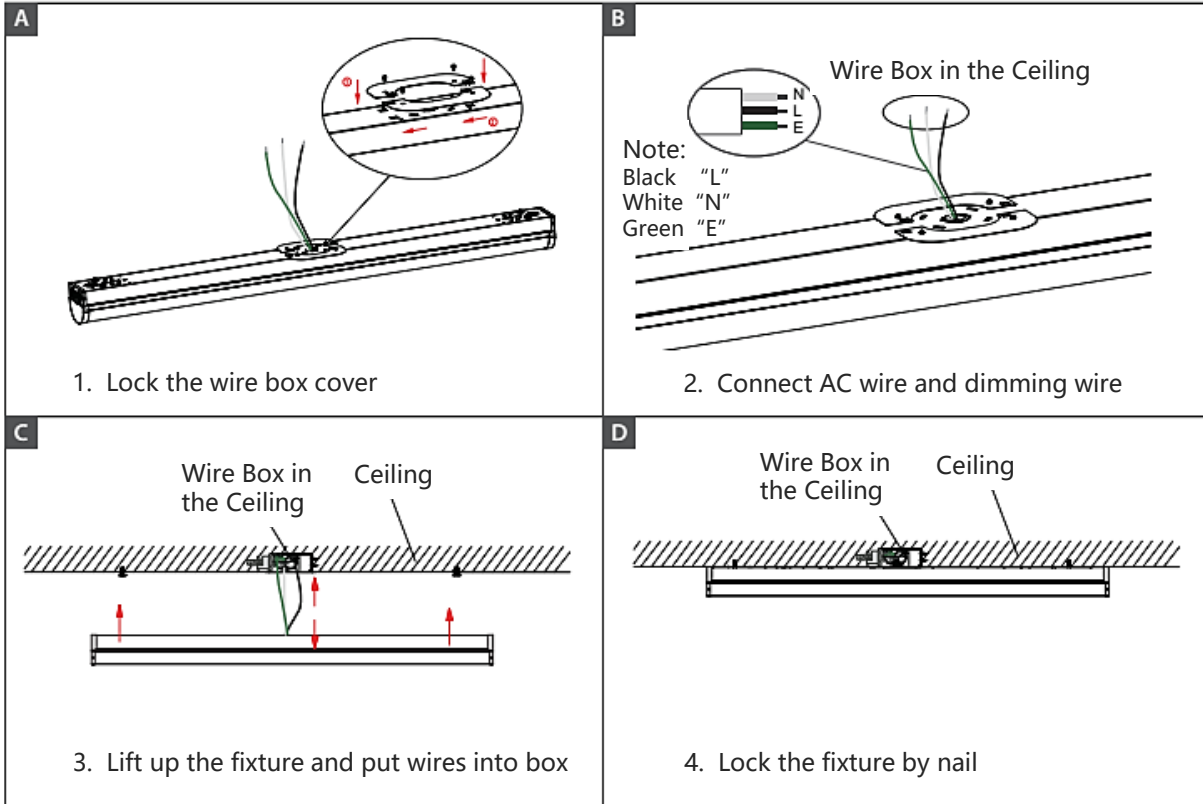
- A. Chain and V Hook Mounting
- B. Surface Mounting
- C. Wire Box Cover Installation



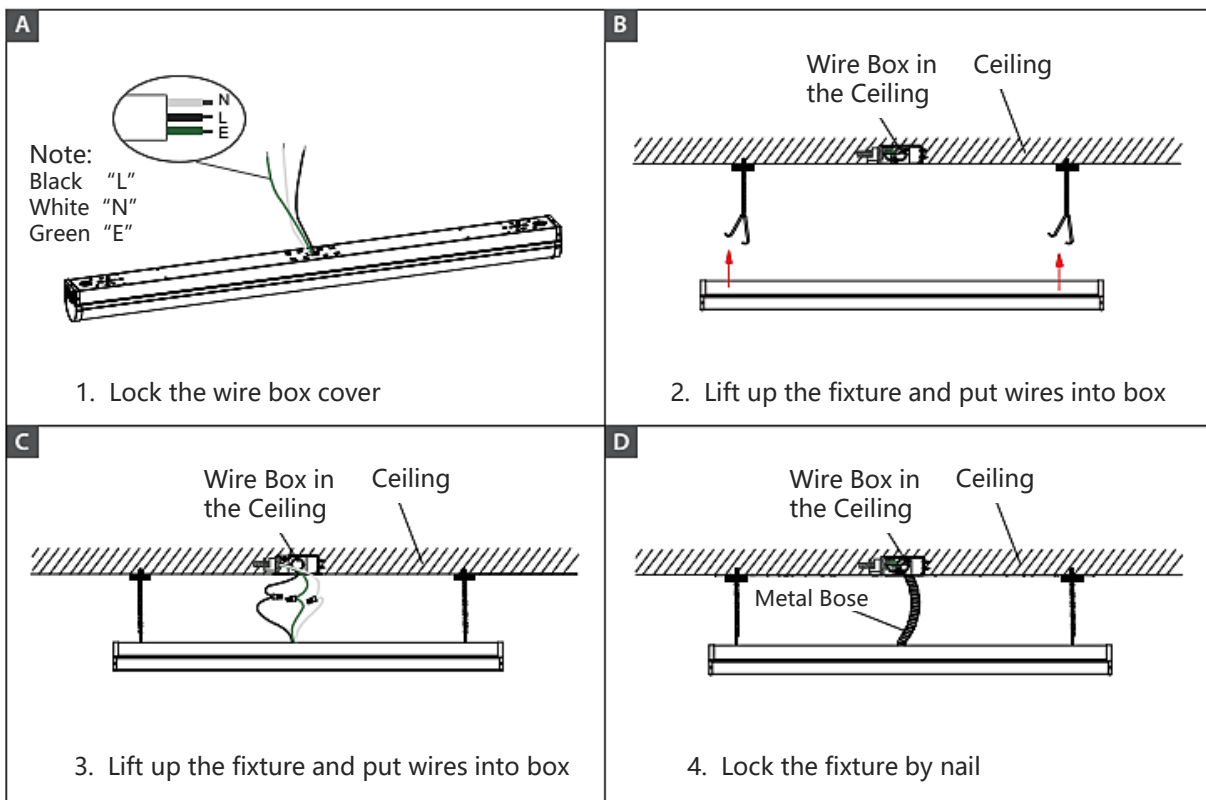
Metal Bracket



INSTALLATION CEILING MOUNT

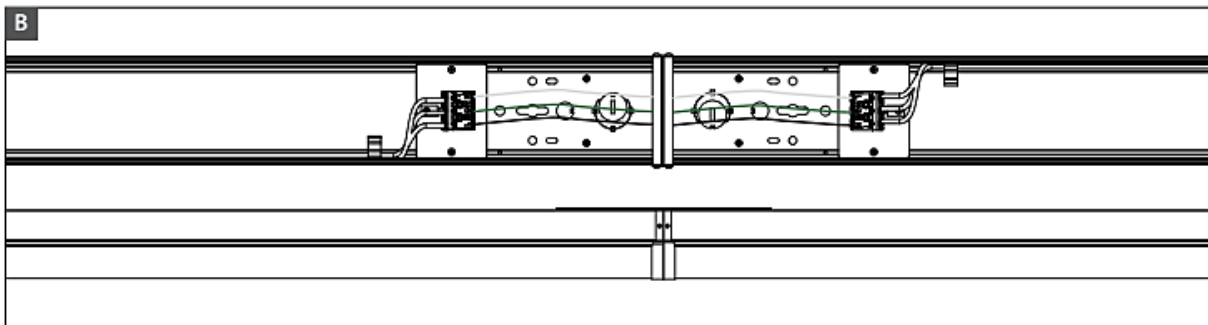
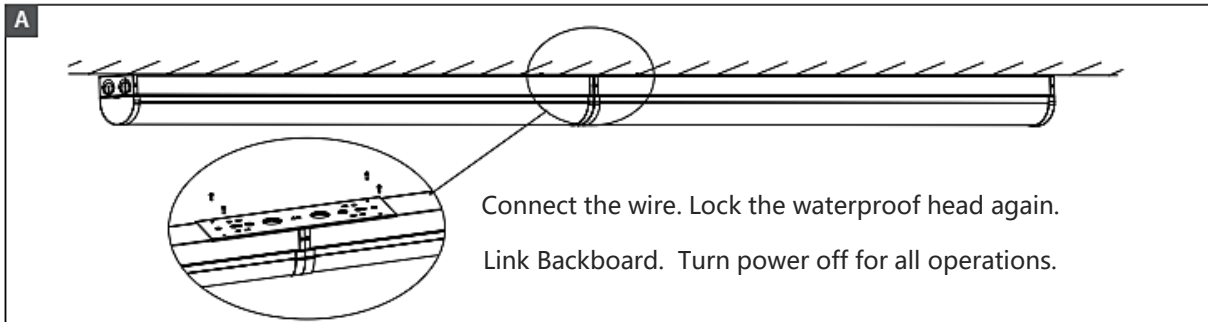


INSTALLATION SUSPENSION MOUNT





INSTALLATION LINKABLE



INSTALLATION FOR DIMMABLE

