



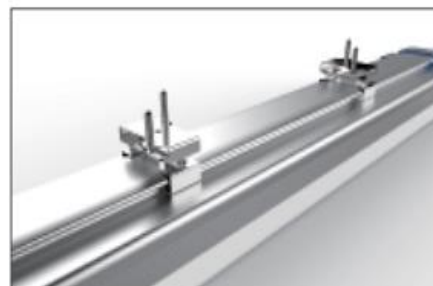
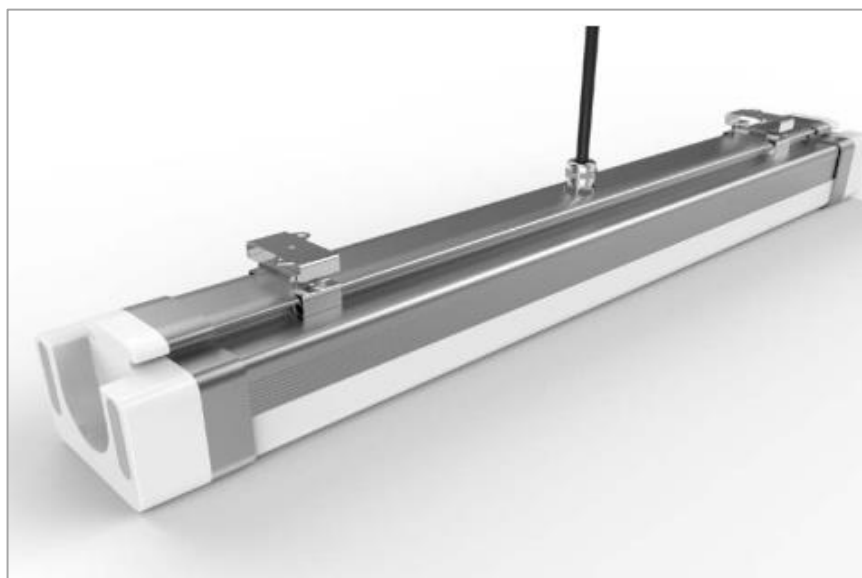
ORDERING FORM

FIXTURE: PL07G PARKER CORDIA

EXAMPLE: PL07G-4FT-40W-EF-4K-01

CODE	FT, WATTS & LUMENS	FEED	KELVIN	ACCESSORIES
PL07G	2FT-20W-2000L 3FT-30W-3000L 4FT-40W-4000L 5FT-50W-5000L 5FT-65W-6500L 6FT-65W-6500L	EF-End Feed BF-Back Feed	3K-3000K 4K-4000K 5K-5000K 6K-6000K	01-Small Metal Bracket <u>STANDARD</u> 02-Adjustable Aircraft Cable 10FT
Note: Dimmable <u>Standard</u>		Note: Use <i>BF</i> for a continuous run. If you use <i>EF</i> there will be a gap.		

Parker Cordia PL07G



Standard Cordia

Parker Cordia PL07G is an ambient linear vapor tight LED product with high efficiencies of 100 lm/W, an aluminum body to enhance heat dissipation, and flexible installation supporting either surface or suspended mounting kits. Designed with a full-length polycarbonate lens, it is a waterproof, dustproof and pressure proof product that can be used in a wide variety of industrial and commercial environments such as warehouses, parking lots, stairwells and many more. The 6-foot cord is standard.

FEATURES

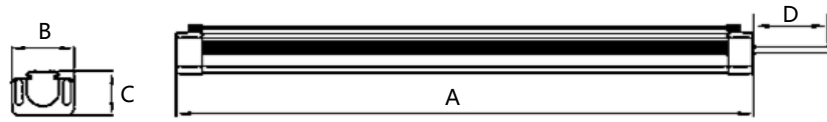
- IP66 / IK10
- SDCM 3 or 6
- 100 lm/W
- Linkable Option
- Non-Flicker Standard
- Up to 70% Energy Savings
- 50,000 Hours, 5 Year Warranty
- Feed Choices: End Feed or Back Feed
- Dimmable Available; Emergency Not Available
- Wide Use in Commercial and Industrial Applications

APPLICATION

- **INDUSTRIAL**
Warehouses, Production Halls, Parking Areas, Stairwells
- **EDUCATION**
Classrooms, Cafeterias, Auditoriums, Sports Halls
- **SEMI-OUTDOOR**
Car Garages, Pools, Airports, Train/Bus Stations, Gas Stations, Parks, Toll Stations
- **SHOP & RETAIL**
Shopping Malls, Supermarkets, Retail Stores
- **ARCHITECTURAL**
Exhibition Centers, Libraries, Museums, Concert Halls



SIZE



Model No.	Size A (inches)	Size B (inches)	Size C (inches)	Size D (inches)
PL07G	24"	3.3"	2.5"	39"
PL07G	36"	3.3"	2.5"	39"
PL07G	48"	3.3"	2.5"	39"
PL07G	60"	3.3"	2.5"	39"
PL07G	60"	3.3"	2.5"	39"
PL07G	72"	3.3"	2.5"	39"

SPECIFICATIONS

Model No.	Power (W)	Lumens	lm/W
PL07G/2FT	20	2000	100
PL07G/3FT	30	3000	100
PL07G/4FT	40	4000	100
PL07G/5FT	50	5000	100
PL07G/5FT-A	65	6500	100
PL07G/6FT	65	6500	100

Notes: Frosted cover is 10 lm/W less than clear cover. Above lumens based on 4000K Ra: >80

TECHNICAL PRODUCT INFORMATION

Operating: -20~+40°C **Storage:** -40~+85°C

Light Source: 2835

CRI Range: 80+

Certification: UL

Beam Angle: 120°

CCT Range: 3000K | 4000K | 5000K | 6000K

AC Input: 100-277V 50/60Hz

Light Efficiency: 100 lm/W

PF: >0.93 **THD** <20% **Power Efficiency:** >0.87

Waterproof: IP66 & IK10

Recommended Installation Height: 8-19ft

Function: Dimmable

Dimming to be 0-10V

ACCESSORIES



01



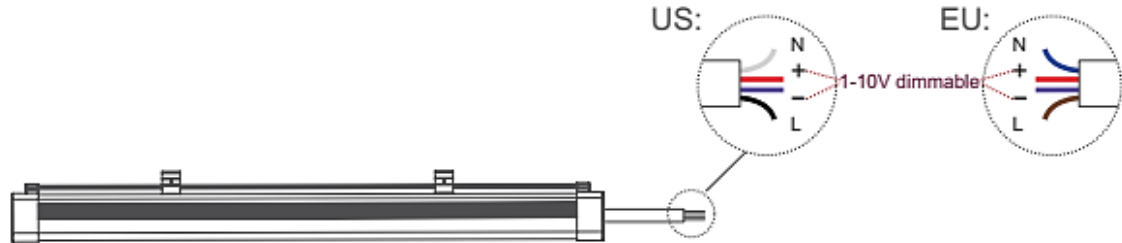
02

	IMAGE	PART #	DESIGNATION	MATERIAL	DESCRIPTION	QTY	ACCESSORY USE
Standard	01	PL07-SMB01	Small Metal Bracket	Stainless Steel	2" x1.5" x.75"	2 PC	Suspension & Ceiling Mount
Optional	02	PL07-AACC10FT03	Adj. Aircraft Cable	Stainless Steel	Up to 10 Feet	2 PC	Adjustable Suspension Mount

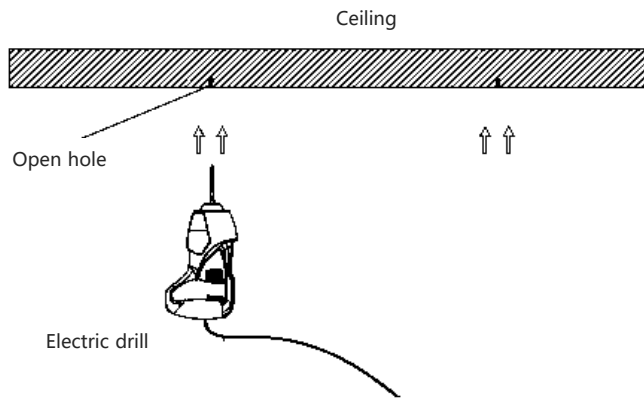


INSTALLATION

Control Map



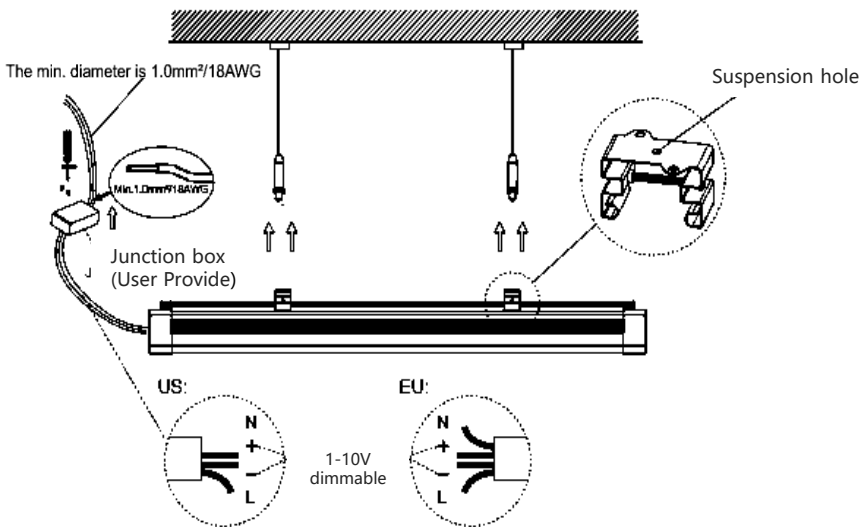
Suspension Mount



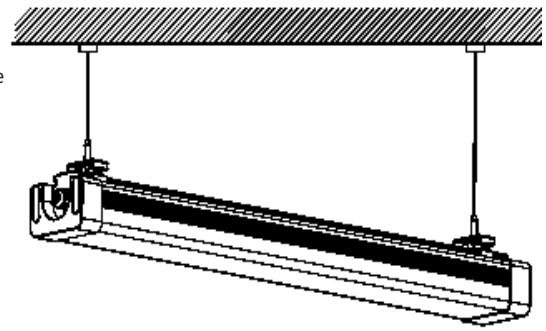
A. Mark correct position and screw hole



B. Screw the steel cable onto ceiling



C. Hang the fixture under the steel cable and secure the fixture by the steel cable

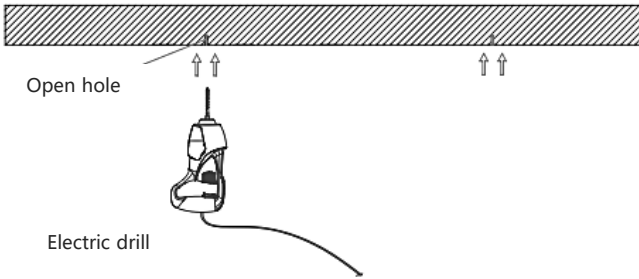


D. Adjust the position of the fixture and clean it.

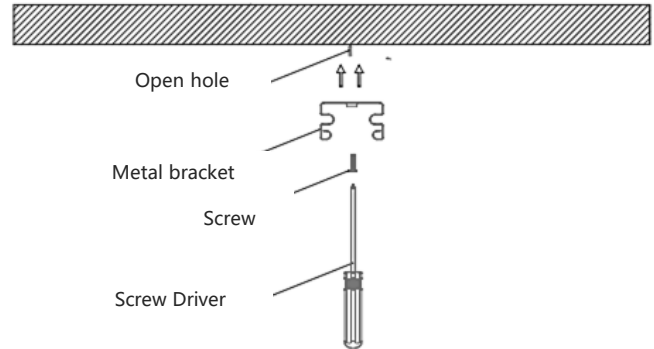


INSTALLATION

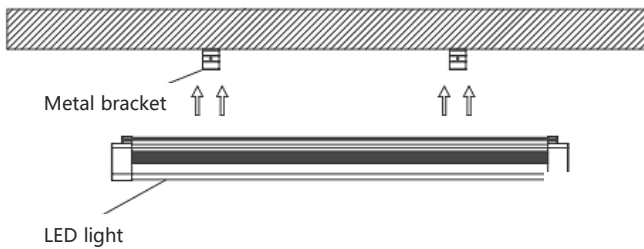
Ceiling Mount



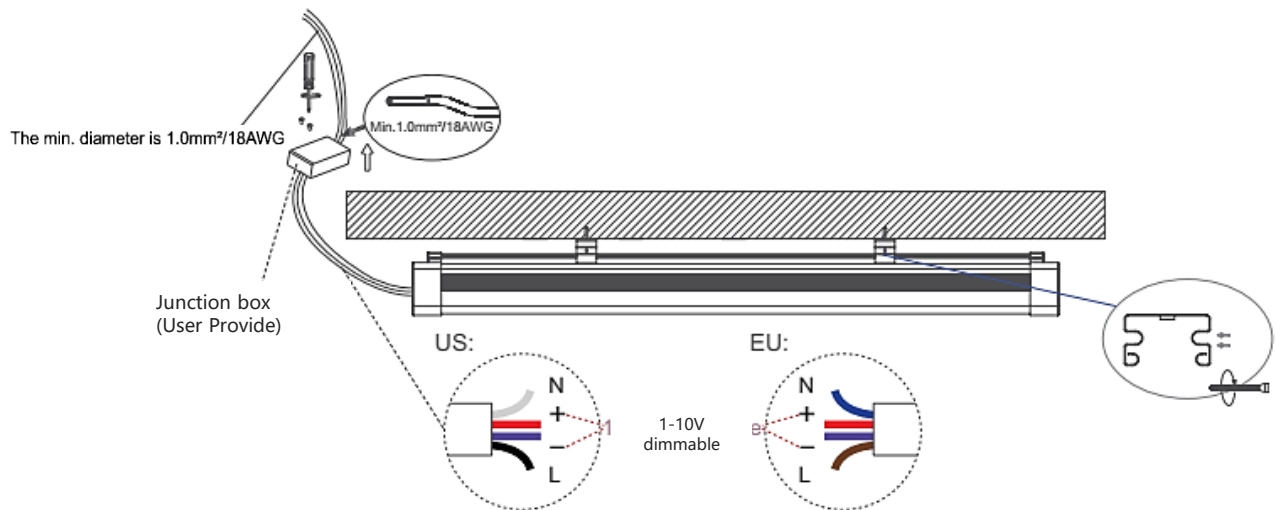
A. Mark correct position and screw hole



B. Screw the clip tightly onto ceiling



C. Install the lamp into the clips



D. Adjust the position of the fixture and clean it